

Name \_\_\_\_\_

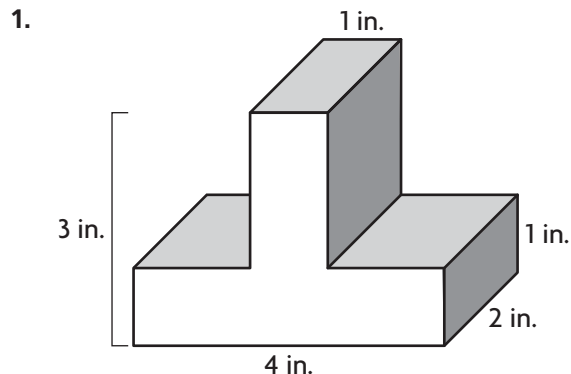
## Find Volume of Composed Figures



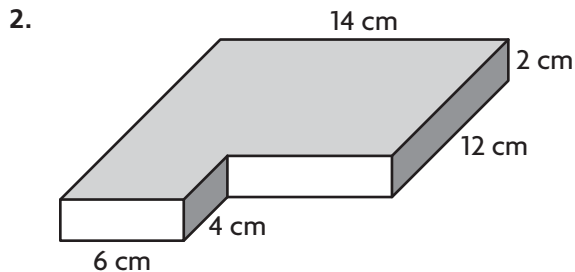
**COMMON CORE STANDARD** MACC.5.MD.3.5c

Geometric measurement: understand concepts of volume and relate volume to multiplication and to addition.

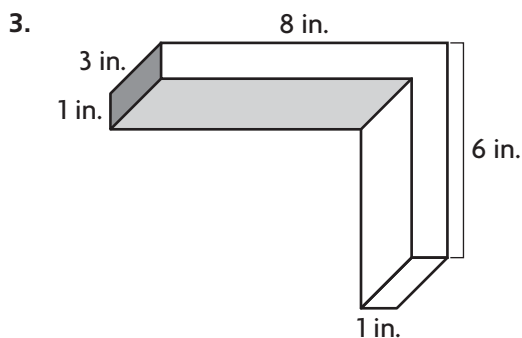
Find the volume of the composite figure.



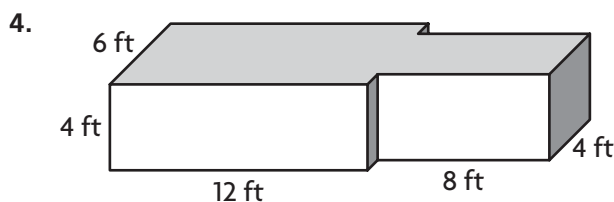
$V =$  \_\_\_\_\_



$V =$  \_\_\_\_\_



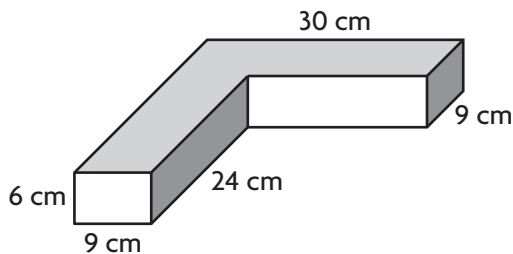
$V =$  \_\_\_\_\_



$V =$  \_\_\_\_\_

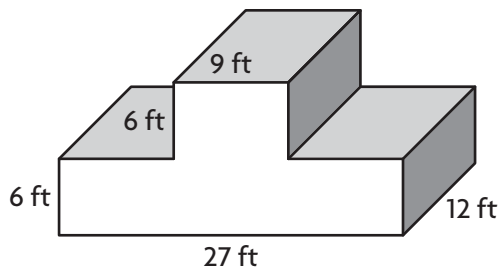
## Problem Solving **REAL WORLD**

5. As part of her shop class, Jules made the figure below out of pieces of wood. How much space does the figure she made take up?



\_\_\_\_\_

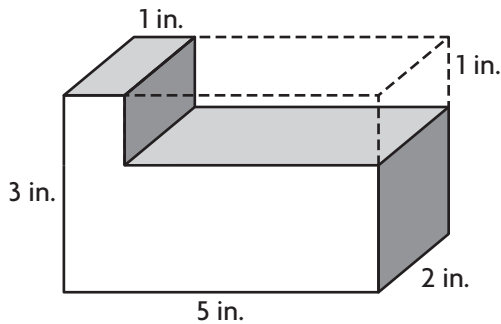
6. What is the volume of the composite figure below?



\_\_\_\_\_

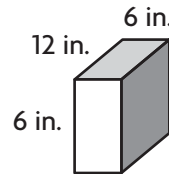
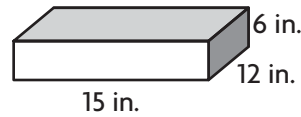
**Lesson Check** (MACC.5.MD.3.5c)

1. Which expression represents the volume of the composite figure?



- (A)  $(5 \times 2) - (3 \times 1)$   
 (B)  $5 \times 2 \times 3$   
 (C)  $(5 \times 2 \times 3) - (4 \times 2 \times 1)$   
 (D)  $4 \times 2 \times 1$

2. Suppose you take the small prism and stack it on top of the larger prism. What will be the volume of the composite figure?



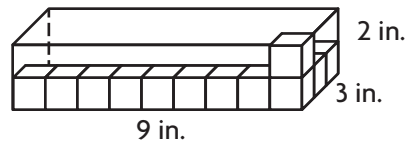
- (A) 432 cubic inches  
 (B) 648 cubic inches  
 (C) 1,080 cubic inches  
 (D) 1,512 cubic inches

**Spiral Review** (MACC.5.NF.2.6, MACC.5.NF.2.7c, MACC.5.MD.3.5a, MACC.5.MD.3.5b)

3. Jesse wants to build a wooden chest with a volume of 8,100 cubic inches. The length will be 30 inches and the width will be 15 inches. How tall will Jesse's chest be? (Lesson 11.11)

- (A) 18 in.  
 (B) 30 in.  
 (C) 270 in.  
 (D) 540 in.

4. What is the volume of the rectangular prism?  
 (Lesson 11.9)



- (A)  $14 \text{ in.}^3$                       (C)  $45 \text{ in.}^3$   
 (B)  $27 \text{ in.}^3$                       (D)  $54 \text{ in.}^3$

5. Adrian's recipe for cranberry relish calls for  $1\frac{3}{4}$  cups of sugar. He wants to use  $\frac{1}{2}$  that amount. How much sugar should he use?

(Lesson 7.9)

- (A)  $1\frac{1}{4}$  cups                      (C)  $\frac{7}{8}$  cup  
 (B)  $1\frac{1}{6}$  cups                      (D)  $\frac{1}{2}$  cup

6. Joanna has a board that is 6 feet long. She cuts it into pieces that are each  $\frac{1}{4}$  foot long. Which equation represents the number of pieces she cut? (Lesson 8.5)

- (A)  $6 \div \frac{1}{4} = n$                       (C)  $\frac{1}{4} \div 6 = n$   
 (B)  $6 \div 4 = n$                       (D)  $\frac{1}{4} \div \frac{1}{6} = n$